



CONSTRUCTION, RESIDENTIAL, PATIO HEATER



CANADA PRICE LIST 2009

PRICES IN EFFECT MAY 4, 2009

Release 1B - see "What's New" page 6

Schwank Group

2 Schwank Way, P.O. Box 988
Waynesboro, GA 30830-0988

5285 Bradco Blvd
Mississauga, Ontario. L4W 2A6

Customer Service & Technical Support

1-877-446-3727

Fax: 1-866-361-0523

Design Services

Canada Fax: 1-866-724-9265

design@schwankgroup.com

Inquiry email: csr@schwankgroup.com



Visit our website for current product information

www.patioSchwank.com

Select PUBLISHED INFO from menu, then Register or Login

As of the effective date, these price sheets supercede all previous price sheets



All Schwank heaters are certified by CSA International

TABLE OF CONTENTS

	Credit Terms & Returns Policy	P-4
	Canada Freight Zone Adders	P-5
	What's new for 2009	P-6
CONSTRUCTION	SCH-90 HotTot Portable Construction Heaters	P-7
RESIDENTIAL & WORKSHOP	ecoSchwank-M Millivolt Series High Intensity Heaters	P-8
	Other Accessories for ecoSchwank-M High Efficiency Heaters.....	P-9
	STR-JZ Workshop/Garage Tube Heater Complete Systems & Kit Assembly Chart	P-10
	STR-JZ Burner Kits; Tube Kits; Gas Conversion Kits.....	P-11
	STR-JZ Accessories.....	P-12
	Patio Heater Selection Guidelines	P-13
CONTROLS	REMOTE CONTROL & patioPanel ~ Central control of patioSchwank systems	P-14
	- 24V Option Guidelines	P-14
	Transformers for 2300 Series Luminous Heaters	P-15
LUMINOUS	patioSchwank 2300 Series Luminous Heaters & Accessories	P-16
TUBE HEATERS	patioSchwank 3000 Series* ~ Best under Roof / Canopy or Enclosed Patios	P-17
<i>Great under Canopy & Roof</i>	Model SPW-JZ Tube Heaters - Powder Coated Cabinet	P-17
	SPW-JZ Assembly Chart: Burner & Tube Kits	P-18
	SPW-JZ Burner Kits - Powder Coated Cabinet.....	P-19
	SPW-JZ Tube Kits	P-20
	Model STW-JZ Tube Heaters - Stainless Steel Cabinet for Coastal Regions....	P-21
	STW-JZ Assembly Chart: Burner & Tube Kits	P-22
	STW-JZ Burner Kits - Stainless Steel Cabinet.....	P-23
	STW-JZ Tube Kits	P-24
	Optional Accessories for SPW-JZ & STW-JZ Series Tube Heaters	P-25 - P-26
PARASOL STYLE	patioSchwank 4000-CB Series Portable Heaters & Accessories	P-27
	patioSchwank 4000-CB Series Fixed Mount Heaters & Accessories	P-28
	Gas Conversion Kits for patioSchwank 1100, 2300, & 3000 Series Heaters	P-29
	Product Warranty Summary	P-30
	Patio Heating Design Survey Sheet - copy, complete and fax in	P-31

** Please order 3000 Series heaters as burner kits + tube kits
Tube heaters are shipped & invoiced as burner kits & tube kits*

F.O.B. Mississauga, Ontario

All Applicable Taxes Extra

1 1/2% Monthly Interest On Overdue Accounts

Prices subject to change without notice

These price sheets supercede all other preceding price sheets

Credit Terms

When credit is extended by Schwank the terms are: Net 30 days

1.5% Monthly Interest On Overdue Accounts

Minimum Invoice: A minimum order of \$50.00 is required for invoicing

patioSchwank Returns Policy

The complete 'Returns Policy' is available from Customer Service, or at www.patioSchwank.com in the "Published Info" area.

Approval must be issued in advance by Schwank before any returns will be accepted.

All goods being returned must be accompanied by a completed Return Authorization form.

Schwank reserves the right to disallow the return of sold goods.

Warranty Returns

SCHWANK is proud of the quality of the products we distribute through your Organization; Some product components do fail occasionally. If this occurs, the following procedure must be followed:

- 1** Heater MODEL # & SERIAL # are required for any technical services contact
- 2** Contact SCHWANK to be issued a Return Authorization form
- 3** If you wish to return a product for "advance warranty replacement", SCHWANK will send the Return Authorization Form to you along with the advance replacement product(s). This form must be completed and returned to SCHWANK along with the product(s), shipping "Prepaid" - Schwank will refuse "Collect" shipments. At SCHWANK's discretion, SCHWANK may instruct you to field scrap the failed part. In such case, the Return Authorization Form must still be completed and returned to SCHWANK by fax or mail
- 4** Upon receipt of the product and/or the Return Authorization Form, SCHWANK will determine if credit is warranted
 - P** if credit is warranted, a credit notice will be issued
 - P** if credit is not warranted, an explanation of credit rejection will be sent to you. Unless advised otherwise, the product will be held for 30 days and then scrapped

Restocking Returns

If an item is to be returned to Schwank stock for credit within 30 days of purchase:

- 1** Contact SCHWANK customer service to be issued a Return Authorization Form
- 2** SCHWANK will forward a Return Authorization Form to you. This form must be completed and returned to SCHWANK along with the product(s), shipping "Prepaid" - "Collect" shipments will be refused. The original invoice number must be indicated on the Return Authorization Form
- 3** Returned items must be in "new condition" and in original packaging / carton
- 4** Upon receipt of the product and the Return Authorization Form, SCHWANK will determine credit amount based upon:
 - a.** items returned to Schwank stock are subject to a 25% restocking charge
 - b.** damaged items will result in a credit deduction for any repair costs, or no credit value

Charge Backs

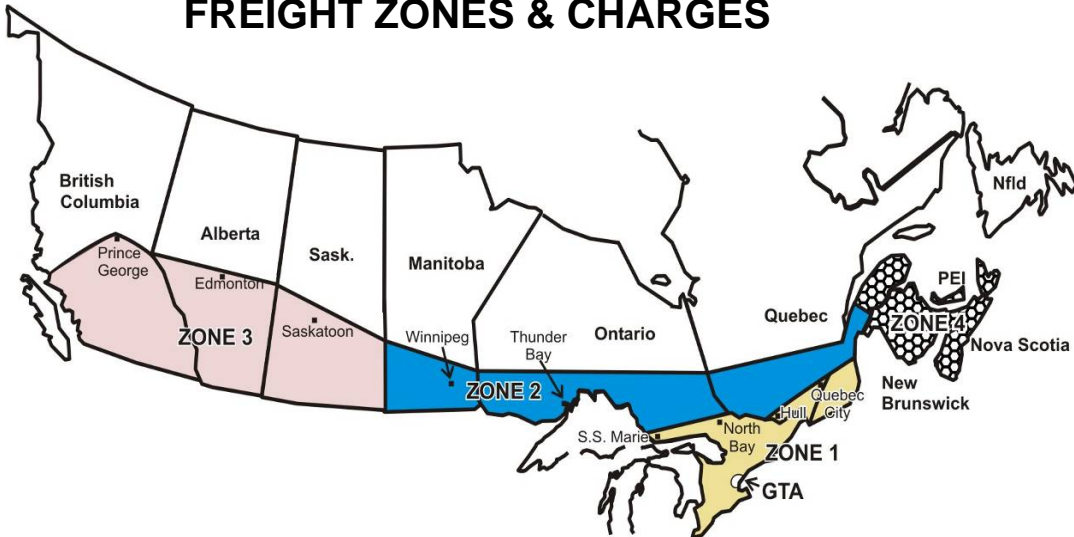
Heater must be properly commissioned and the Commissioning Form accurately completed and returned to Schwank. A Commissioning Form is located near the back of the I&O Manual supplied with each heater.

All charge back claims must be approved in writing by Schwank Technical Services prior to commencement of work.

Freight Charges

CANADA FREIGHT ZONES Page G-5

CANADA FREIGHT ZONES & CHARGES



*GTA: *Brampton, Concord, Etobicoke, Markham, Milton, Mississauga, Oakville, Pickering, Richmond Hill, Scarborough, Toronto, Vaughn, Woodbridge.*

GTA 'Flat Rate' applies to single destination shipment. Additional charges will incur for hand off-loading, delayed off-loading, appointment deliveries, and other special circumstance deliveries.

At your request, Schwank will ship any product via your account with any shipper. Please indicate contact information for your shipper when placing your order.

If you wish to ship "Prepaid & Charge" and have Schwank arrange shipment, please refer to the following freight conditions and charges:

TOTAL LIST PRICE	% ADDER BASED ON LIST PRICE				
	ZONE 4	ZONE 3	ZONE 2	ZONE 1	GTA* (see above)
\$100** to \$2999	FRT 15%	FRT 12%	FRT 10%	FRT 7%	FRT \$150
\$3000 to \$9,999	10%	9%	8%	5%	\$125
\$10,000 to 14,999	7%	6%	6%	3%	\$100
\$15,000 to 19,999	5%	4%	4%	2%	0%
\$20,000 to 24,999	3%	3%	2%	0%	0%
\$25,000 to 29,999	2%	2%	0%	0%	0%
\$30,000 and OVER	0%	0%	0%	0%	0%

Freight terms: Shipments from our Mississauga facility are subject to the zone adders above. Zone adders are based on current LIST PRICING and single destination shipments. All freight charges are included, applicable taxes extra. Freight carrier selection and routing shall be the discretion of Schwank. The Freight Adder percentage of LIST PRICE will be prepaid and added to the invoice, applicable taxes extra.

Call for quote for shipment to areas outside of the established Freight Zones.

Off shore locations: Freight costs from a port within the closest Zone are the responsibility of the consignee

** Minimum Freight Charges: Transport Truck \$100 ; Parcel Service Charges apply to smaller parts orders
Minimum Order: \$100 LIST; \$50 NET

What's New in Tubes for 2009?

NEW In Release 1A - May 4, 2009

Please update your sales information and database with these New Models & Numbers!



**IMPORTANT: TUBE HEATER GAS CONNECTION
EFFECTIVE IMMEDIATELY**

ANSI Z83.20-2008 / CSA 2.34-2008



New Standard for Gas-Fired Low-Intensity Infrared Tube Heaters

requires the mandatory supply of specific gas connector by the manufacturer:

Refer to model information pages for the gas connection that *is included with the heater*.

CANADA: Type 1 Hose Gas Connectors for Tube Heaters

Note: Length of required Type 1 Hose is 36 inches ± 6 inches.

Refer to model information pages for correct sized connector that must be supplied by the manufacturer and installed at the site.

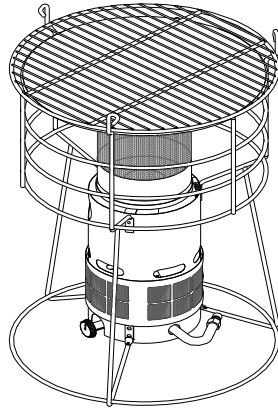


- ✓ **Burner Kit Part Numbers have been revised** to include the appropriate gas connector
Ensure that the correct product numbers are entered in your systems
- ✓ The appropriate flexible gas connector is now included in the burner kit price
- ✓ This is NOT a price increase but rather the total price of the two separate items

Correction in Release 1B:

- ✓ Page 21: Incorrect List Price was shown for the STW-JZ-155-40 ft system

www.patioSchwank.com - Get current Published Info for all products



HotTot

SCH-90 PORTABLE/CONSTRUCTION HEATER

Prices include single burner, heavy-duty steel guard and base, steel top shield, built in thermostatic control and male quick disconnect, tip-over lock-out switch.

<u>MODEL</u>	<u>CAPACITY</u>	<u>PART #</u>	<u>LIST PRICE</u>
SCH-090L (PROPANE)	87,500 BTUH	CH-0090-LP	\$ 1,249.00
SCH-090N (NAT.GAS)	90,000 BTUH	CH-0090-NG	1,249.00
<u>OPTIONAL ACCESSORIES</u>			
		<u>PART #</u>	
15' hose with L.P. regulator		JH-0903-XX	\$ 169.00
50' 3/4" type "1" hose for propane* with shut off valve with L.P. regulator and 3/8" female quick disconnect at heater end.		JH-0902-LP	496.00
50' 3/4" type "1" hose for natural gas* with shut off valve with 3/4" male quick disconnect manifold end, and 1/2" female quick disconnect heater end.		JH-0902-XX	496.00
Manifold** with 3/4" female quick disconnect for natural gas meter :			
Single Outlet		JH-0902-ES	196.00
Double Outlet		JH-0902-ED	331.00
Double Outlet c/w 2-meter long, 1" type "1" hose		JH-0902-UD	476.00
Suspension chain (pyramid) with 'S' hooks		JH-0910-XX	31.00
Replacement Filters (package of 4)		JH-0933-AA	20.60
Replacement Filters (CARTON of 250)		JH-0933-BP	854.00

*Type "1" hose is approved for construction site heating applications; for use with either natural or propane gas.

****Meter manifold connectors are regulated by local Utilities.
 Some utilities may require a unique or specific connection.**



Consult your local & national codes for acceptable application of this millivolt heater

No electrical connection required

Typical accessories are listed below.

Other accessories: next page

ecoSchwank-M Millivolt SERIES LUMINOUS (High Intensity) HEATERS

ECO-M heaters include assembled reflectors, gas valve, millivolt ignition, digital thermostat & 20 ft thermostat wire. Optional accessories are listed below, and on next page.

<u>MODEL</u>		<u>CAPACITY</u>	<u>GAS</u>	<u>PART #</u>	<u>LIST PRICE</u>
ecoSchwank-M 6	N or L	21,500 Btuh	NG	EC-M025-NG	\$ 730.00
			LP	EC-M025-LP	730.00
ecoSchwank-M 10	N or L	35,000 Btuh	NG	EC-M037-NG	777.00
			LP	EC-M037-LP	777.00
ecoSchwank-M 13	N or L	50,000 Btuh	NG	EC-M050-NG	901.00
			LP	EC-M050-LP	901.00
ecoSchwank-M 18	N or L	71,500 Btuh	NG	EC-M075-NG	999.00
			LP	EC-M075-LP	999.00
ecoSchwank-M 26	N or L	100,000 Btuh	NG	EC-M100-NG	1,103.00
			LP	EC-M100-LP	1,103.00

OPTIONAL ACCESSORIES FOR ECO-M SERIES

	<u>PART #</u>	<u>LIST PRICE</u>
Flexible Gas Connector 1/2" x 18" (Up to 155,000 Btuh)	JL-0771-FF	\$ 24.90
Flexible Gas Connector 1/2" x 24" (Up to 155,000 Btuh)	JL-0771-XX	32.00
#8 Hanging Chain - box 50'	JL-0798-JC	58.00
'S' Hooks - Package of 25	JL-0798-SH	22.50
Pressure Equalizer Venturi Cover (for Drafty Areas)	JO-0368-XX	155.00



ecoSchwank-M Millivolt SERIES
OTHER ACCESSORIES

Typical Accessories: previous page

TILE PROTECTING GRILLE:

(1/2" X 1/2" Bird Screen)

	<u>PART #</u>	<u>LIST PRICE</u>
For: ecoSchwank-M 6	JX-0249-XX	\$ 25.90
ecoSchwank-M 10	JX-0252-XX	25.90
ecoSchwank-M 13	JX-0253-XX	33.20
ecoSchwank-M 18	JX-0254-XX	43.50
ecoSchwank-M 26	JX-0255-XX	49.70

CEILING PROTECTION PLATE: *Longer lead times for this accessory*

For: ecoSchwank-M 6 & 10	Uninsulated	JX-0256-UN	\$ 124.00
ecoSchwank-M 13	Uninsulated	JX-0257-UN	144.00
ecoSchwank-M 18	Uninsulated	JX-0258-UN	196.00
ecoSchwank-M 26	Uninsulated	JX-0259-UN	238.00

REFLECTOR EXTENSIONS

For: ecoSchwank-M 6	Single	JX-0260-SG-P	\$ 41.40
	Pair	JX-0260-PR-P	
ecoSchwank-M 10	Single	JX-0236-SG-P	41.40
	Pair	JX-0236-PR-P	
ecoSchwank-M 13	Single	JX-0237-SG-P	57.00
	Pair	JX-0237-PR-P	
ecoSchwank-M 18	Single	JX-0238-SG-P	84.00
	Pair	JX-0238-PR-P	
ecoSchwank-M 26	Single	JX-0239-SG-P	124.00
	Pair	JX-0239-PR-P	



NEW

A flexible gas connector is now required to be supplied by the manufacturer with a tube heater. It is now included with the Burner Kit.

Residential Tube Heater

STR-JZ Series

RESIDENTIAL GARAGE/SHOP HEATER



STR-JZ SERIES HEATER
includes a 24 volt thermostat

PRICES INCLUDE BURNER ASSEMBLY AND THE FOLLOWING COMPONENTS:

BURNER KIT: TYPE 1 HOSE GAS CONNECTOR, AIR INTAKE HOOD, 120V 3-PRONGED PLUG, AND 24V THERMOSTAT WITH 20 FT OF 18/2 WIRE;

TUBE KIT: PRIMARY TUBE, EMISSIVE COATED SECONDARY TUBE(S), TWO END PLATE HANGERS, WEBBED REFLECTOR/TUBE HANGERS, FOCUS SHIELD REFLECTORS, TUBE COUPLER(S), TURBULATOR(S),

COMPLETE SYSTEMS:

MODEL	CAPACITY	AVAILABLE TUBE	LENGTH			LIST PRICE
STR-JZ 45	45,000 Btuh	NG	10'	\$	1,310.00	
			20'		1,430.00	
STR-JZ 60	60,000 Btuh	NG	20'		1,430.00	
			30'		1,620.00	

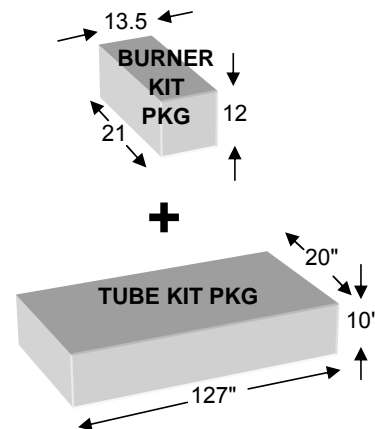
Individual burner kits + tube kits are shipped to assemble tube heater orders.
~ See next page for details ~

Burners are stocked in natural gas only - **Field conversion kit required for LP - see next page**

Heaters are shipped and invoiced as burner kits and tube kits. Please order kits.

STR-JZ BURNER & TUBE KIT ASSEMBLY CHART

MODEL	BURNER KIT (Includes Type 1 Hose Gas Connector) Gross Wt = 30 lbs	Tube Kit Gross Weight (lbs)	STR-JZ TUBE KIT PART # & QUANTITY REQUIRED		
			Stand-Alone Kits Only		
		Nominal Length (ft)	10'	20'	30'
			TS-4510-JZ	TS-1420-JZ	TS-1430-JZ
STR-JZ 45	JS-R045-CN	70	1	1	
STR-JZ 60	JS-R060-CN	120		1	
		170			1



Heaters are shipped and invoiced as burner kits and tube kits. Please order kits.

STR-JZ BURNER & TUBE KITS: next page
STR-JZ ACCESSORIES: page P-15

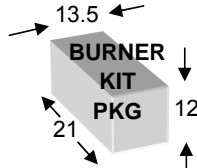


Residential Tube Heater STR-JZ Series

NEW

A flexible gas connector is now required to be supplied by the manufacturer with a tube heater. It is now included with the Burner Kit.

BURNER KITS - STR-JZ



<u>CAPACITY</u>	<u>AVAILABLE TUBE LENGTHS</u>	<u>FUEL</u>	<u>INCLUDES</u>	<u>PART #</u>	<u>LIST PRICE</u>
45,000	10', 20'	N.G.	1/2" X 36"	JS-R045-CN	\$ 881.00
60,000	20', 30'	N.G.	1/2" X 36"	JS-R060-CN	881.00

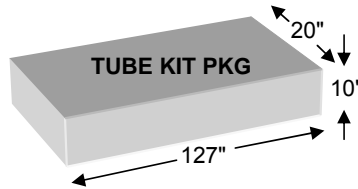
The following items are packed inside the burner assembly carton: Type 1 Hose Gas Connector, Burner fastening nuts & bolts, fresh air intake cap, 24V thermostat with 20 ft of 18/2 wire, installation manual.

LPG FIELD CONVERSION KITS FOR STR-JZ BURNERS

Conversion Kits for LP to NG are listed on page T-52

<u>INPUT</u>	<u>PART #</u>	<u>LIST PRICE*</u>
45,000 Btuh Field Conversion Kit NG to LP	JS-0556-XC	\$ 45.00
60,000 Btuh Field Conversion Kit NG to LP	JS-0557-XX	24.00

TUBE KITS - STR-JZ



Tube kits include '-JZ' 116" reflectors, webbed hangers, end plate hangers, couplers, and tubes as listed below:

<u>Stand-Alone</u>	<u>Description</u> (includes Reflectors, Hangers, and Couplers)	<u>PART #</u>	<u>LIST PRICE</u>
10' : 45,000 Btuh	Flanged/swaged aluminized tube with no ports, one 5 ft turbulator	TS-4510-JZ \$	429.00
20' : 45,000/60,000	Flanged/swaged aluminized tube with no ports, one emissive coated steel swaged tube, one 4 ft turbulator and one 10 ft turbulator	TS-1420-JZ	549.00
30' : 60,000	Flanged/swaged aluminized tube with no ports, two emissive coated steel swaged tubes, one 4 ft turbulator and one 10 ft turbulator	TS-1430-JZ	739.00



OPTIONAL ACCESSORIES

STR-JZ Series

#8 Hanging Chain - (box of 50' Jack Chain - 'S' hooks separate - see next item)	JL-0798-JC	\$	58.00
'S' Hooks - 1 1/8" - Package of 25	JL-0798-SH		22.50
INSTALLER CONVENIENCE KIT* <i>(* Kit includes: 4" x 10' aluminum flexible duct, 4" wall flue terminal and 10' jack chain)</i>	JS-0598-XX		98.00
4" Horizontal Wall Flue Terminal	JA-0528-XX		38.30
4" Roof Vent Cap	JA-0530-XX		46.60



**IMPORTANT: TUBE HEATER GAS CONNECTION
EFFECTIVE IMMEDIATELY**



ANSI Z83.20-2008 / CSA 2.34-2008

New Standard for Gas-Fired Low-Intensity Infrared Tube Heaters

requires the mandatory supply of specific gas connector by the manufacturer:

Refer to table below for gas connection that *must be shipped with the heater.*

CANADA : A Type 1 Hose Gas Connector MUST BE SUPPLIED with Tube Heater:

Note: Length of Type 1 Hose is 36 inches ±6 inches.

Refer to table below for correct sized connector that is supplied and must be installed.

Gas connector will be shipped in the Burner Kit carton

Mandatory Type '1' Hose Gas Connector	
Input Btuh	Required ID x Length
45,000	1/2" x 36"
60,000	1/2" x 36"

Flexible Gas Connectors:

Type 1 Hose - Replacement Part

Type 1 Hose Connector 1/2" x 36"

- for 45,000 up to 130,000 Btuh

JL-0771-RC \$ 32.00

Decorative 'Tuxedo' Grille Kit - Matte Black finish



Decorative 'Tuxedo' Grille Kit - Matte Black Grille - 10 foot section

TG-0010-KT \$ 349.00

Matte black grille & aluminized steel framing dress up a tube heater installation - secures with tabs to 'JZ' Series heater

STR-JZ Elbow Kits:

ST-JZ 45° Aluminized Steel Elbow Kit - **NO** Reflector Cover:

(Elbow can be installed right or left hand: includes coupler & end plate/hanger)

JS-0528-JZ \$ 188.00

ST-JZ 90° Aluminized Steel Elbow & Reflector Cover Kit**:

(Elbow can be installed right or left hand - includes coupler, reflector cover, end plate/hanger)

JS-0508-JZ 155.00

ST-JZ 180° Elbow & Reflector Kit: ORDER: TWO x JS-0508-JZ 90° ELBOW KITS

JS-0508-JZ x 2 310.00

Side Reflector 10" deep x 116" long

JS-0509-KT \$ 45.60

STR-JZ COMPLETE SYSTEMS: page T-35
STR-JZ BURNER & TUBE KITS: previous page

PATIO HEATER SELECTION GUIDELINES

Patio layouts and conditions differ widely and usually require a unique heating solution for each patio. Below are some guidelines to assist in the selection of heaters for your patio project. Schwank offers design services for patio projects. Copy, complete and submit the form at the back of this price list.

General

- ☼ Gas fired infrared radiant heat is ideal for "spot comfort" applications like patios, waiting lines, and smoking areas.
- ☼ Besides temperature, wind-chill is the greatest opponent to comfort - any wind break will improve outdoor comfort.
- ☼ Heating customers from at least two sides is much more effective than heating from only one side.
- ☼ If a project faces budget constraints, it is most effective to heat only a portion of a patio. Spreading too few heaters over a larger area will not satisfy customers nor the owner.
- ☼ An investment in patio heating results in additional comfortable seating more cost-effectively than any other renovation.
- ☼ 24 volt control patio heater models can be centrally operated from a patio panel, or by remote control.

2300 Series Luminous Heaters

- 25,000, 35,000, and 50,000 Btuh Natural Gas or Propane Gas
- 24V electrical supply & ignition - central or remote control
- Best suited to 'open' patios
- All models have a black emissive coated stainless steel lens - improves performance and helps heater "disappear"
- For use in salt-air coastal regions an all-stainless-steel-construction model is available

3000 Series Tube Heaters - SPW-JZ & STW-JZ

- 45,000 to 155,000 Btuh, 10 ft to 40 ft tube length
- 120V required for burner, but has 24V ignition for central or remote control
- Best suited for covered or enclosed areas - Tube can be direct vented to beyond the area being heated

SPW-JZ - Powder coated burner cabinet for standard covered or enclosed patio application

STW-JZ - Stainless steel burner cabinet for harsh or salt-air environments

4000-CB Series Parasol Heaters

- Traditional 'Parasol' (or 'Mushroom') appearance - aesthetic appeal
- Portable & fixed mount (post) styles available in propane or natural gas (except 4003)
- 38,000 Btuh natural gas or propane gas (20 or 30 lb cylinder - 4003: 20 lb only)
- Finishes: Stainless steel, or black 'hammered' texture powder coat
- Best for areas where temporary installation / portability is a must

	Luminous		Tube Heaters		Parasol: Portable & Fixed Mount			
	2300	2300 SS	SPW-JZ	STW-JZ	4005-CB	4002-CB	4SN/L5	4BN/L6
Open Patio Area	✓	✓			✓	✓	✓	✓
Canopy / Roof Over			✓	✓				
Enclosed Area			✓	✓				
Coastal Salt-Air Location		✓		✓	✓		✓	
'City Property' Patio					✓	✓		
Portable					✓	✓		
Perimeter Mount	✓	✓	✓	✓				
Floor Area Mount	✓	✓					✓	✓
Central Panel Control	✓	✓	✓	✓				
Remote Control	✓	✓	✓	✓				
Propane or Natural Gas	✓	✓	✓	✓	LP Only	LP Only	✓	✓

Remote Control of patioSchwank Systems

Remote Control Options - Hand Set & Receiver:

- Four "ON/OFF" programmable buttons -> control any number of individual heaters or selected zones independently

OPTIONS: ORDER ITEMS SEPARATELY

- | | | | |
|---|------------|------------|-------|
| 1) Remote Control Receiver Kit field installed in burner: One per heater | JP-1234-RK | \$ | 72.00 |
| - Includes receiver, wires, instructions | | | |
| 2) Hand Set Control (four On/Off buttons) | each | JP-1234-HS | 44.00 |
| - Regardless of the number of heaters, Schwank strongly recommends ordering two hand-sets per patio site so that one back-up hand-set is always available | | | |
| - Each of four pair of On/Off buttons on the hand set can be programmed to control from one heater to any number of heaters in a zone | | | |

patioPANEL ~ Central Control of patioSchwank Systems

Single heater per each patioPanel switch is recommended for best comfort control; at most two 2300 heaters per switch, only one tube heater per switch

- Panel switches have 24 volt capacity

24 Volt TRANSFORMER NOT INCLUDED - SEE NEXT PAGE for SIZES & PRICING.

<u>MODEL</u>	<u>HEATERS</u>	<u>PART #</u>	<u>LIST PRICE</u>
PCP-4	Up To 4	JM-0204-NT	\$ 255.00
PCP-8	Up To 8	JM-0208-NT	320.00
PCP-12	Up To 12	JM-0212-NT	370.00

24 VOLT CONTROL GUIDELINES

patio Schwank 2300 ~ Luminous Heaters

- Size 24V transformer 40VA for 1st heater + 30 VA for each additional heater
- patioPanel switches are 24 Volt capacity
- patioPanel: Size transformer for ALL heaters controlled by each individual panel
- for best comfort control, assign one heater to each patioPanel switch
- At most two 2300 heaters can be assigned to each patioPanel switch
- Remote Control: Size transformer(s) for ALL heaters installed on the patio

patio Schwank 3000 ~ Tube Heaters

- 120 V supply is ALWAYS required to the burner to power the blower and the individual transformer in each burner assembly
- patioPanel: 24V power to the panel switch is supplied from the transformer within the burner

ONLY ONE tube heater can be controlled by each patioPanel switch
- Remote Control: Burner is ready for installation of Remote Control Receiver Kit: JP-1234-RK
- Existing tube heaters in the field may still require the installation of optional JS-0568-KT 24V Relay Kit to allow 24 volt control (patioPanel, Remote Control, 24V Thermostat)

24V TRANSFORMERS for 2300 Series luminous heaters:

A patioPanel requires a 24 volt transformer to power the panel switches, and in turn power the heater(s). The transformer is sized to suit the total number of heaters being controlled by the panel - see below for sizing guide.

Remote control of 2300 Series heaters requires a 24 volt transformer(s) sized to suit the total number of heaters installed - see below for sizing guide.

Refer to previous page for guidelines on 24 Volt control of patioSchwank heating systems

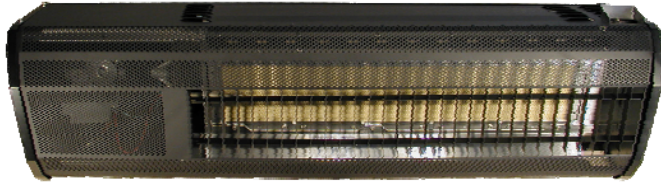
24V TRANSFORMER SIZING GUIDE: patioSchwank 2300 Series heaters

- On a single heater use one 40 VA transformer.
- On a zone with multiple heaters, use transformer sized at 40 VA per first heater and 30 VA per each additional heater.

24V TRANSFORMERS

<u>SIZE</u>		<u>PART #</u>	<u>LIST PRICE</u>
40 VA Transformer	4"x 4" Electrical Box Mount	JL-0776-XX	\$ 67.00
100 VA Transformer	Closed Type	JL-0778-XX	127.00
150 VA Transformer	Closed Type	JL-0779-XX	152.00
200 VA Transformer	Closed Type	JL-0780-XX	174.00
250 VA Transformer	Closed Type	JL-0781-XX	191.00
350 VA Transformer	Closed Type	JL-0781-AA	223.00

See INSTALLATION MANUAL to determine gauge of distribution wire. (minimum 16 gauge).



Overhead Perimeter Mount System

**patioSchwank 2300 SERIES
OUTDOOR PATIO HEATERS**

Black Emissive Coated Stainless Steel Lens on ALL Models
 - Helps preserve appearance
 - Increases IR output

Minimum mounting height of 8 ft

24V TRANSFORMER NOT INCLUDED - see page P-19

Remote & patioPanel Controls: page P-17

409 Stainless Steel Lens has Black Emissive Coating

- Aluminized Steel construction of other heater body components - for Standard Application

NOTE: In some environments 409 grade stainless steel lens can experience some surface discoloration. This oxidation does not affect the heater's performance or longevity, but may require occasional touch-up to maintain appearance.

MODEL	INPUT	FINISH - Including Lens Cover	GAS	PART #	LIST PRICE
2312	23,000	BLACK - High Temperature	NG	MO-2312-NG	\$ 1,449.00
			LP	MO-2312-LP	1,449.00
2313	35,000	BLACK - High Temperature	NG	MO-2313-NG	1,659.00
			LP	MO-2313-LP	1,659.00
2315	50,000	BLACK - High Temperature	NG	MO-2315-NG	1,709.00
			LP	MO-2315-LP	1,709.00

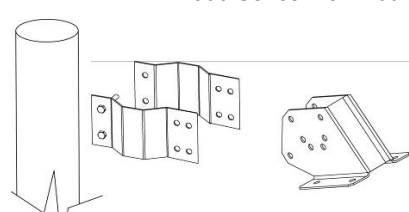

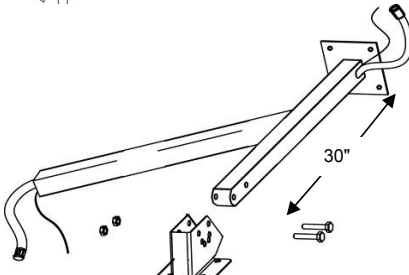
304 Stainless Steel Lens has Black Emissive Coating

- All Stainless Steel Construction - BEST for Salt-Air Coastal Regions

NOTE: 304 grade stainless steel lens does not oxidize even in harsh environments - lens is black emissive coated.

MODEL	INPUT	FINISH - Including Lens Cover	GAS	PART #	LIST PRICE
2312 S/S	23,000	BLACK - High Temperature	NG	MO-2312-SN	Call for current pricing
			LP	MO-2312-SL	
2313 S/S	35,000	BLACK - High Temperature	NG	MO-2313-SN	1-877-446-3727
			LP	MO-2313-SL	
2315 S/S	50,000	BLACK - High Temperature	NG	MO-2315-SN	1-877-446-3727
			LP	MO-2315-SL	


2300 Series MOUNTING OPTIONS

	PART #	LIST PRICE
 <p>2300 Series Wall Mounting Bracket</p>	JP-2300-MB	\$ 144.00
 <p>2300 Series 4" Pole Mounting Assembly: <i>Pole Clamp + Heater Bracket</i></p>	JP-2300-PK	134.00
 <p>2300 Series Wall/Ceiling Mounting Arm Kit <i>(Prepiped & wired)</i></p>	JP-2300-MK	439.00
Flexible Gas Connector 1/2" x 24"	JL-0771-XX	32.00

Remote & patioPanel Controls ~ See page P-14 for information, sizes & pricing ~

'SPW-JZ' Series

NEW



A flexible gas connector is now required to be supplied by the manufacturer with a tube heater. It is now included with the Burner Kit.

SPW-JZ: BURNER & '-JZ' TUBE KIT ASSEMBLY CHART

for patioSchwank 3000 SERIES

SPW-JZ: POWDER COATED BURNER CABINET + ALUMINIZED STEEL REFLECTORS & TUBES

SPW-JZ TUBE KIT PART # & QUANTITY REQUIRED

MODEL	BURNER KIT (Includes 1 Gas Hose) Type Gross Wt = 30 lbs	Nominal Tube Length (ft)	Stand-Alone Tube Kits			
			70	120	170	210
			10'	20'	30'	40'
			TS- 4510- JZ	TW-1420- JZ	TW-1430- JZ	TW-1040- JZ
SPW-JZ 45	JS-045W-CN	10'	1			
SPW-JZ 60	JS-060W-CN	20'		1		
		30'			1	
SPW-JZ 80	JS-080W-CN	20'		1		
		30'			1	
SPW-JZ 110	JS-110W-CN	30'			1	
		40'				1
SPW-JZ 130	JS-130W-CN	30'			1	
		40'				1
SPW-JZ 155**	JS-155W-CN	40'				1

NOTES: Standard burners are stocked for natural gas only. Field conversion kits are required for conversion to LP Gas - refer to 'Burner Kits' page.

For outdoor applications, Schwank does not recommend tube length/firing rate combinations other than indicated above - for extraordinary projects, contact Schwank

** With a relatively high firing rate, the SPW-JZ 155 can be used for outdoor applications with mounting heights of 14 to 18 ft

SPW-JZ Series Burners require 120V supply - Comes with a 24/120V relay installed for Remote or patioPanel control of heater system
Details on page P-14



A flexible gas connector is now required to be supplied by the manufacturer with a tube heater. It is now included with the Burner Kit.

SPW-JZ BURNER KITS: patioSchwank 3000 Series

**POWDER COATED BURNER CABINET mounts to
Aluminized Steel Tubes & Aluminized Steel Reflectors**

See 'Tube Kits' next page

<u>BTUH CAPACITY</u>	<u>AVAILABLE TUBE LENGTHS</u>	<u>FUEL</u>	<u>INCLUDES TYPE 1 GAS HOSE</u>	<u>PART #</u>	<u>LIST PRICE*</u>
45,000	10'	N.G.	1/2" X 36"	JS-045W-CN	\$ 1,170.00
60,000	20', 30'	N.G.	1/2" X 36"	JS-060W-CN	1,170.00
80,000	20', 30'	N.G.	1/2" X 36"	JS-080W-CN	1,170.00
110,000	30', 40'	N.G.	1/2" X 36"	JS-110W-CN	1,170.00
130,000	30', 40'	N.G.	1/2" X 36"	JS-130W-CN	1,170.00
155,000	40'	N.G.	3/4" X 36"	JS-155W-CN	1,201.00

All burner assemblies require line voltage (120VAC), but are 24 volt control ready (24/120V relay factory installed).

The following items are packed inside the burner Kit carton: Burner fastening nuts & bolts, ignitor (mounted), installation manual

NOTE: SPW-JZ Series burners require 120V supply - Comes with a 24/120V relay installed for remote or patioPanel control of heater system

LPG FIELD CONVERSION KITS FOR SPW-JZ BURNERS

<u>INPUT</u>	<u>PART #</u>	<u>LIST PRICE*</u>
45,000 Btuh Field Conversion Kit NG to LP	JS-0556-XA	\$ 45.00
60,000 Btuh Field Conversion Kit NG to LP	JS-0557-XX	24.00
80,000 Btuh Field Conversion Kit NG to LP	JS-0559-XX	24.00
110,000 Btuh Field Conversion Kit NG to LP	JS-0561-XX	24.00
130,000 Btuh Field Conversion Kit NG to LP	JS-0563-XX	24.00
155,000 Btuh Field Conversion Kit NG to LP	JS-0565-XX	24.00
175,000 Btuh Field Conversion Kit NG to LP	JS-0567-AA	24.00
200,000 Btuh Field Conversion Kit NG to LP	JS-0567-CC	24.00

Conversion Kits for LP to NG are listed on page P-33

SPW-JZ COMPLETE SYSTEMS are listed on **page P-17**

SPW-JZ BURNER & TUBE KIT ASSEMBLY CHART is on **previous page**

SPW-JZ TUBE KITS are on the **next page**

OPTIONAL ACCESSORIES are on the **page P-25**

'SPW-JZ' & 'STW-JZ'

'-JZ' TUBE KITS (*Emissive Coated*) for SPW-JZ & STW-JZ OUTDOOR/PATIO TUBE HEATER

ALUMINIZED STEEL REFLECTORS + ALUMINIZED STEEL TUBES

<u>Stand-Alone</u>	Each kit includes 116" reflectors, webbed hanger system, couplers	<u>TUBE KIT #</u>	<u>LIST PRICE*</u>
10' : 45,000	Emissive coated flanged/swaged aluminized tube with no ports and 4 foot rod & plate turbulator	TS-4510-JZ \$	429.00
20' : 60,000/80,000	Flanged/swaged tube with no ports, one coated aluminized steel swaged tube, one 4 ft turbulator and one 10 ft turbulator	TW-1420-JZ	589.00
30' : 60/80/110/130	Flanged/swaged tube with no ports, two coated aluminized steel swaged tubes, one 4 ft turbulator and one 10 ft turbulator	TW-1430-JZ	776.00
40' : 80/110/130/155	Flanged/swaged tube with no ports, 3 coated aluminized steel swaged tubes, one 4 ft turbulator and one 10 ft turbulator	TW-1040-JZ	993.00

COMPLETE SPW-JZ SYSTEMS are listed on **page P-17**

SPW-JZ BURNER & TUBE KIT ASSEMBLY CHART is on **page P-18**

SPW-JZ BURNER KITS are on the **previous page**

OPTIONAL ACCESSORIES are on **page P-25**

**STAINLESS STEEL BURNER CABINET
BEST for Salt-Air Coastal Regions**



*STW-JZ shown with optional Tuxedo Grille
See details below*

NEW



A flexible gas connector is now required to be supplied by the manufacturer with a tube heater. It is now included with the Burner Kit.

**patioSchwank 3000 Model STW-JZ
OUTDOOR PATIO HEATER**

**KIT ASSEMBLY CHART: page P-22
STW-JZ BURNER KITS: page P-23
STW-JZ TUBE KITS: page P-24
ACCESSORIES: page P-25**

DESIGNED & BUILT FOR COVERED OR ENCLOSED OUTDOOR PATIOS IN COASTAL REGIONS

STAINLESS STEEL CABINET & ALUMINIZED STEEL TUBE(S) AND DEEP FOCUS SHIELD REFLECTORS.

PRICES INCLUDE BURNER ASSEMBLY WITH STAINLESS STEEL CABINET AND FOLLOWING COMPONENTS: TYPE 1 HOSE GAS CONNECTOR, 4" COMBUSTION AIR INTAKE ADAPTER & 4" WALL HOOD, HANGER/REFLECTOR END PLATES, MOISTURE & ACID RESISTANT DIRECT SPARK IGNITION SYSTEM, 24/120V RELAY SWITCH, COUPLING KIT(S), TURBULATOR(S), WEBBED HANGERS, ALL ALUMINIZED STEEL TUBE(S) AND ALUMINIZED STEEL DEEP FOCUS SHIELD REFLECTORS.

COMPLETE SYSTEMS:

MODEL	Fuel	CAPACITY	AVAILABLE TUBE		LIST PRICE
			LENGTH		
STW-JZ 45	NG	45,000 Btuh	10'	\$	2,065.00
STW-JZ 60	NG	60,000 Btuh	20'		2,225.00
STW-JZ 80	NG	80,000 Btuh	20'		2,225.00
			30'		2,412.00
STW-JZ 110	NG	110,000 Btuh	30'		2,412.00
			40'		2,629.00
STW-JZ 130	NG	130,000 Btuh	30'		2,412.00
			40'		2,629.00
STW-JZ 155**	NG	155,000 Btuh	40'		2,660.00

NOTES: Standard burners are stocked for natural gas only. Field conversion kits are required for conversion to LP Gas - refer to 'Burner Kits' page.

This burner draws combustion air through a 4" diameter collar on the cabinet.
Use the STW-JZ if outside combustion air is required.

For outdoor applications, Schwank does not recommend tube length/firing rate combinations other than indicated above
- For extraordinary projects, contact Schwank

** With a relatively high firing rate, the STW-JZ 155 can be used for outdoor applications with mounting heights of 14 to 18 ft

Decorative 'Tuxedo' Grille Kit - Matte Black finish

Decorative 'Tuxedo' Grille Kit - Matte Black Grille - 10 foot kit section TG-0010-KT \$ 349.00

Matte black grille & aluminized steel framing dress up a tube heater installation - secures with tabs to 'JZ' Series heater

Remote & patioPanel Control of patioSchwank 3000 STW-JZ

~ See page P-14 for information, sizes & pricing ~

'STW-JZ' Series

NEW

A flexible gas connector is now required to be supplied by the manufacturer with a tube heater. It is now included with the Burner Kit.

STW-JZ: BURNER & '-JZ' TUBE KIT ASSEMBLY CHART

STW-JZ: STAINLESS STEEL BURNER CABINET + ALUMINIZED STEEL REFLECTORS & TUBES

STW-JZ TUBE KIT PART # & QUANTITY REQUIRED

MODEL	BURNER KIT (Includes Type 1 Gas Hose) Gross Wt = 30 lbs	Tube Kit Gross Weight (lbs) Nominal Tube Length (ft)	Stand-Alone Tube Kits			
			70	120	170	210
			10'	20'	30'	40'
			TS- 4510- JZ	TW-1420- JZ	TW-1430- JZ	TW-1040- JZ
STW-JZ 45	JS-045P-CN	10'	1			
STW-JZ 60	JS-060P-CN	20'		1		
		30'			1	
STW-JZ 80	JS-080P-CN	20'		1		
		30'			1	
STW-JZ 110	JS-110P-CN	30'			1	
		40'				1
STW-JZ 130	JS-130P-CN	30'			1	
		40'				1
STW-JZ 155	JS-155P-CN	40'				1

**NOTE: STW-JZ Series burners require 120V supply - Comes with a 24/120V relay installed for remote or patioPanel control of heater system
Details on page P-14 & 15**



A flexible gas connector is now required to be supplied by the manufacturer with a tube heater. It is now included with the Burner Kit.

STW-JZ BURNER KITS for patio applications

STAINLESS STEEL BURNER CABINET FOR HARSH ENVIRONMENTS, COASTAL REGIONS

STW-JZ uses Aluminized Steel Tubes & Aluminized Steel Reflectors

<u>BTUH CAPACITY</u>	<u>AVAILABLE TUBE LENGTHS</u>	<u>FUEL</u>	<u>INCLUDES TYPE 1 GAS HOSE</u>	<u>PART #</u>	<u>LIST PRICE*</u>
45,000	10'	N.G.	1/2" X 36"	JS-045P-CN	\$ 1,636.00
60,000	20', 30'	N.G.	1/2" X 36"	JS-060P-CN	1,636.00
80,000	20', 30'	N.G.	1/2" X 36"	JS-080P-CN	1,636.00
110,000	30', 40'	N.G.	1/2" X 36"	JS-110P-CN	1,636.00
130,000	30', 40'	N.G.	1/2" X 36"	JS-130P-CN	1,636.00
155,000	40'	N.G.	3/4" X 36"	JS-155P-CN	1,667.00

The following items are packed inside the burner kit carton: Burner fastening nuts & bolts, Type 1 gas hose connector, ignitor (mounted), installation manual, fresh air intake cap.

All burner assemblies operate on line voltage (120VAC).

* Burner & Tube Kit prices represent the component prices in conjunction with purchasing a complete system.

NOTE: STW-JZ Series Burners require 120V supply - Comes with a 24/120V Relay installed for Remote or patioPanel control of Heater System

Heaters are shipped and invoiced as 'Burner Kit' and 'Tube Kits'

LPG FIELD CONVERSION KITS FOR STW-JZ BURNERS

<u>INPUT</u>	<u>PART #</u>	<u>LIST PRICE*</u>
45,000 Btuh Field Conversion Kit NG to LP	JS-0556-XA	\$ 45.00
60,000 Btuh Field Conversion Kit NG to LP	JS-0557-XX	24.00
80,000 Btuh Field Conversion Kit NG to LP	JS-0559-XX	24.00
110,000 Btuh Field Conversion Kit NG to LP	JS-0561-XX	24.00
130,000 Btuh Field Conversion Kit NG to LP	JS-0563-XX	24.00
155,000 Btuh Field Conversion Kit NG to LP	JS-0565-XX	24.00
175,000 Btuh Field Conversion Kit NG to LP	JS-0567-AA	24.00
200,000 Btuh Field Conversion Kit NG to LP	JS-0567-CC	24.00

Conversion Kits for LP to NG are listed on page P-33

STW-JZ COMPLETE SYSTEMS are listed on **page P-21**

STW-JZ BURNER & TUBE KIT ASSEMBLY CHART is on **page P-22**

STW-JZ TUBE KITS are listed on **page P-24**

OPTIONAL ACCESSORIES are on the **page P-25**

'STW-JZ' & 'SPW-JZ'

'-JZ' TUBE KITS (*Emissive Coated*) for STW-JZ & SPW-JZ OUTDOOR/PATIO TUBE HEATER

ALUMINIZED STEEL REFLECTORS + ALUMINIZED STEEL TUBES

<u>Stand-Alone</u>	Each kit includes 116" reflectors, webbed hanger system, couplers	<u>TUBE KIT #</u>	<u>LIST PRICE*</u>
10' : 45,000	Emissive coated Flanged/swaged aluminized tube with no ports and 4 foot rod & plate turbulator	TS-4510-JZ	\$ 429.00
20' : 60,000/80,000	Flanged/swaged tube with no ports, one coated aluminized steel swaged tube, one 4 ft turbulator and one 10 ft turbulator	TW-1420-JZ	589.00
30' : 60/80/110/130	Flanged/swaged tube with no ports, two coated aluminized steel swaged tubes, one 4 ft turbulator and one 10 ft turbulator	TW-1430-JZ	776.00
40' : 80/110/130/155	Flanged/swaged tube with no ports, 3 coated aluminized steel swaged tubes, one 4 ft turbulator and one 10 ft turbulator	TW-1040-JZ	993.00

STW-JZ COMPLETE SYSTEMS are listed on **page P-21**

STW-JZ Burner & Tube Kit Assembly Chart is on **page P-22**

STW-JZ BURNER KITS are on the **previous page**

OPTIONAL ACCESSORIES are on the **next page**

**OPTIONAL ACCESSORIES for
3000 SERIES PATIO HEATERS
SPW-JZ & STW-JZ Tube Models**

Controls:

Remote & Panel Controls; 24 Volt Control Guidelines - see page P-14 & 15

	<u>PART #</u>	<u>LIST PRICE</u>
24V Relay Kit* - field mounted:	JS-0568-KT	\$ 36.30

***Not required for heaters that have 24/120V relay factory mounted (May 1, 2006)**
 May be required for 24V control of existing installations ~ contact Schwank with Model & Serial #'s

Moisture Proof Thermostat (NEMA 4X enclosure)	JS-0570-XX	331.00
---	------------	--------

Flue Vent Terminals:	4" wall horizontal	JA-0528-XX	\$ 38.30
	6" wall horizontal	JA-0529-XX	46.60
	4" roof	JA-0530-XX	46.60
	6" roof	JA-0531-XX	54.00
Vent Tee 4" X 4" X 6"		JA-0514-XX	191.00
<i>(ADD TWO optional tube couplers JA-0516-SW if desired for vent pipe connection to tee)</i>			
4" Swaged Tube Coupler (required quantity is shipped with heater)		JA-0516-SW	40.40
- Also available in stainless steel (custom item ~ longer lead time)		JA-0516-SS	78.00



**IMPORTANT: TUBE HEATER GAS CONNECTION
EFFECTIVE IMMEDIATELY**



ANSI Z83.20-2008 / CSA 2.34-2008

New Standard for Gas-Fired Low-Intensity Infrared Tube Heaters
 requires the mandatory supply of specific gas connector by the manufacturer:
 Refer to table below for gas connection that *must be shipped with the heater.*

CANADA : A Type 1 Hose Gas Connector MUST BE SUPPLIED with Tube Heater:

Note: Length of Type 1 Hose is 36 inches ±6 inches.
 Refer to table below for correct sized connector that is supplied and must be installed.
 Gas connector will be shipped in the Burner Kit carton

Mandatory Type '1' Hose Gas Connector	
Input Btuh	Required ID x Length
45,000	1/2" x 36"
60,000	1/2" x 36"
80,000	1/2" x 36"
100,000	1/2" x 36"
110,000	1/2" x 36"
130,000	1/2" x 36"
155,000	3/4" x 36"
175,000	3/4" x 36"
200,000	3/4" x 36"

Flexible Gas Connectors:

Type 1 Hose - Replacement Parts

Type 1 Hose Connector 1/2" x 36"		
- for 45,000 up to 130,000 Btuh	JL-0771-RC	\$ 32.00
Type 1 Hose Connector 3/4" x 36"		
- for 155,000 up to 200,000 Btuh	JL-0771-RB	\$ 63.00

Decorative 'Tuxedo' Grille Kit - Matte Black finish

Decorative 'Tuxedo' Grille Kit - Matte Black Grille - 10 foot kit section	TG-0010-KT	\$	349.00
<i>Matte black grille & aluminized steel framing dress up a tube heater installation - secures with tabs to 'JZ' Series heater</i>			

Elbow Kits:

45° Aluminized Steel Elbow Kit - NO Reflector Cap: <i>(Elbow can be installed right or left hand)</i>	JS-0528-JZ	\$	188.00
90° Aluminized Steel Elbow & Reflector Cap Kit**: <i>(Elbow can be installed right or left hand - Includes coupler, reflector cap, hanger plate)</i>	JS-0508-JZ		155.00
180° Elbow Kit* = Combine TWO JS-0508-JZ 90° Kits	Qty 2 x JS-0508-JZ		310.00

Hanging Chain & Other Items:

# 8 Jack Chain - Hanging Chain <i>(box of 50' Jack Chain)</i>	JL-0798-JC	\$	58.00
'S' Hooks - Package of 25	JL-0798-SH		22.50
Side Reflector 10" deep x 116" long	JS-0509-KT		45.60
Tube Protection Screen - 5 ft length	JA-0780-XX		58.00

**NEW
Advanced
Conical Burner Series
introduced
August 2008**

**4000 SERIES
PORTABLE PARASOL
FOR OUTDOOR PATIOS**

**4002-CB & 4005-CB
Premier Commercial
Portable Models**

*38,000 Btuh Conical Burner
Improved radiant heat comfort
16% LESS FUEL USE than 45,000 Btuh heaters.*
- Tank lasts longer
- Labor saved with fewer tank changess



4005-CB

4002-CB

<u>MODEL</u>	<u>FINISH</u>	<u>Gas Type</u>	<u>INPUT</u>	<u>ORDER PART #</u>	<u>LIST PRICE</u>
4005-CB*	Stainless Steel	LP Gas	38,000 Btuh	PS-4005-CB	\$ 699.00
4002-CB*	Hammered Black	LP Gas	38,000 Btuh	PS-4002-CB	579.00

*Inner & outer emitters in conical burner increase and direct radiant heat output;
Single piece 32" reflector;
Battery electronic ignitor;
4" diameter wheels for portability;
Housing for 20 or 30 lbs tank (L.P. tank not included).
Three year commercial use warranty on burner
Currently available in propane only.*

* Ships in two separate cartons: 1: Burner, post, tank cover, base + 2: Reflector

BURNER HEAD KITS

Use this kit for field replacement of old deteriorated burner heads

Burner head, and 1 piece 32" reflector included,
plus battery spark ignition, and the appropriate hose:

LP: 52 inch hose with regulator & connector for LP Cylinder
NG: 3/8" x 94" hose with 3/8" MPT



Note: Burner head mounts to a 2.5" I.D. post - adaptation to fit a different diameter post is the responsibility of the installer.

LP Gas	46,000	JP-401H-KL	\$	362.00
Nat. Gas	45,000	JP-401H-KN		362.00
32" Single Piece Reflector		JP-4070-CB		90.00

NEW
Advanced
Conical Burner Series
introduced
August 2008

4000 SERIES
FIXED MOUNT PARASOL
FOR OUTDOOR PATIOS

4SN5-CB, 4SL5-CB
4BN6-CB, 4BL6-CB

Premier Commercial
Permanent Mount Models

38,000 Btuh Conical Burner
Improved radiant heat comfort
16% LESS FUEL USE than 45,000 Btuh heaters.



4SN/L5-CB
 Stainless Steel
 N or L
indicates gas type



4BN/L6-CB
 Black Powder Coat
 N or L
indicates gas type

4SN/L5-CB* Stainless Steel Finish - Order Heater as three component parts

	<u>HEATER COMPONENT</u>	<u>FUEL TYPE</u>	<u>INPUT</u>	<u>ORDER PART #</u>	<u>LIST PRICE</u>
1	Burner Head & Heater Base	Nat. Gas	38,000 Btuh	Either JP-4SN5-CB	\$ 599.00
		Propane	38,000 Btuh	or JP-4SL5-CB	599.00
2	One Piece Post - Stainless Steel			Plus JP-4PST-SS	150.00
3	32" Single Piece Reflector			Plus JP-4070-CB	90.00
Total List Price Stainless Steel					\$ 839.00

4BN/L6-CB* Hammered Black Powder Coat Finish - Order Heater as three component parts

	<u>HEATER COMPONENT</u>	<u>FUEL TYPE</u>	<u>INPUT</u>	<u>ORDER PART #</u>	<u>LIST PRICE</u>
1	Burner Head & Heater Base	Nat. Gas	38,000 Btuh	Either JP-4BN6-CB	\$ 559.00
		Propane	38,000 Btuh	or JP-4BL6-CB	559.00
2	One Piece Post - Hammered Black Finish			Plus JP-4PST-BK	106.00
3	32" Single Piece Reflector			Plus JP-4070-CB	90.00
Total List Price Hammered Black Finish					\$ 755.00

NOTE: No gas regulator is supplied with heater. Gas pressure to be regulated at gas supply by installer. Refer to installation manual for details.

* Ships in three separate cartons: 1: Burner Head & Heater Base + 2: One Piece Post + 3: Reflector

**GAS CONVERSION KITS
for patio SCHWANK HEATERS**

patioSchwank 4000 Series heaters (parasol style) are not field convertible

When ordering, please provide heater model number and gas type to convert to

patio SCHWANK TUBE HEATERS

<u>Heater Model</u>	<u>Input</u>	<u>NG to LP</u>	<u>LP to NG</u>	<u>List Price</u>
patioSchwank 3000 series SPW-JZ STS-WP STW STW-JZ	45,000	JS-0556-XA	JS-0556-XB	\$ 45.00
	60,000	JS-0557-XX	JS-0558-XX	24.00
	80,000	JS-0559-XX	JS-0560-XX	24.00
	110,000	JS-0561-XX	JS-0562-XX	24.00
	130,000	JS-0563-XX	JS-0564-XX	24.00
	155,000	JS-0565-XX	JS-0566-XX	24.00

patio SCHWANK LUMINOUS (HIGH INTENSITY) HEATERS

<u>Heater Model</u>	<u>Input</u>	<u>NG to LP</u>	<u>LP to NG</u>	<u>List Price</u>
1110	29,500	JU-0349-XX	JU-0350-XX	\$ 46.60
1115	44,000	JU-0351-XX	JU-0352-XX	46.60
1120	59,000	JU-0353-XX	JU-0354-XX	46.60
1130	88,500	JU-0355-XX	JU-0356-XX	46.60
	<u>Input</u>	<u>NG to LP</u>	<u>LP to NG</u>	
2312	23,000	JX-0253-XE	JX-0252-XE	\$ 46.60
2313	35,000	JX-0253-XF	JX-0252-XF	46.60
2315	50,000	JX-0253-XG	JX-0252-XG	46.60

PRODUCT WARRANTY PERIODS

The following warranty periods are effective on all shipments on or after July 15, 2004.

Since 1951 **Schwank** has maintained a reputation of building quality industrial heaters. For this reason, and for our customer's protection, **Schwank** is prepared to support its heating equipment with very comprehensive warranties.

Schwank warrants to the Purchaser that **Schwank** gas fired infra-red radiant space heaters and all parts, are free from defects in material or workmanship under normal use and service for the following periods of time.

Schwank Product	WARRANTY TERM (YEARS)					
	All Heaters	Luminous	Tube Heaters		Parasol	
	Components	Ceramic Tile	Burner Cup	Radiating Tubes	Burner	Mantle
PATIOSCHWANK HEATERS:						
- 1100	2	5				
- 2300	1	3				
- 3000: SPW-JZ & STW-JZ	3		10	10		
- 4000 (<i>All Models Except 4003</i>)	1				3	3
- 4003 (<i>Only</i>)	1				2	2

OPTIONAL ACCESSORIES AND REPLACEMENT PARTS ARE COVERED UNDER THE WARRANTY OF THE ITEM MANUFACTURER: TYPICALLY 1 YEAR

Product warranties consist only of providing a like replacement part for any defective part during the term of the warranty, F.O.B. Schwank.

Please note, that the above does not constitute a description of product warranty. It is intended only for general warranty term information and is subject to change without notice. A product warranty statement is supplied within each product manual.

SP-DPAT-BX-08A
RD: MAR, 2005
RL: 08A
BA

PATIO HEATING SURVEY



FOR:

*BUSINESS NAME:	_____
*ADDRESS:	_____

*PHONE:	_____
*FAX:	_____
E-MAIL:	_____
*CONTACT PERSON:	_____

SURVEY PERFORMED BY:

DISTRIBUTOR NAME:	_____
MANUFACTURERS REP:	_____
*YOUR COMPANY:	_____
*ADDRESS:	_____

*PHONE:	_____
*FAX:	_____
E-MAIL:	_____

**On a separate sheet include a floor plan sketch and a cross section, and/or view of adjacent wall(s) showing any windows, doors, roof (canopy), fences, or any other encumbrance to heater location. Be certain to include all dimensions - "inches" are critical in heater placement.

NOTE: PATIO HEATING DESIGNS ALLOW FOR A WIND CONDITION OF 10 MPH or 15 Km/Hr. PATIOS WITH WIND BREAKS PROVIDE BEST PATRON COMFORT.

*** INDICATES REQUIRED INFORMATION**

***TYPE OF GAS:**
 Natural Propane
(Indicate location of meter, tank or gas main on sketch)

***WHAT SEASON WILL PATIO BE OPEN:**
 Summer Autumn
 Spring Winter

***PATIO LOCATION:**
 Ground Level 1st Floor Roof
 Elevated above Ground
 Other _____

***ARE THERE ANY PATIO HEATERS NOW:**
 Yes No
 What Kind: _____

***ENTIRE PATIO TO BE HEATED:**
 Yes No

***IS THERE A ROOF / CANOPY OVER PATIO:**
 Yes No
 Where: _____
Height to bottom of joist / canopy:
 Highest Point: _____
 Lowest Point: _____
 Roof Construction: _____
 Material: _____

***DOES PATIO BUTT UP AGAINST A WALL:**
 Yes No
 Height: _____
 1 Side 2 Sides 3 Sides 4 Sides
(If YES, please indicate on you sketch)

***ARE THERE ANY OTHER HEIGHT RESTRICTIONS:**
 Yes No
Where & How High
 Building Overhangs: _____
 Decorative Beams: _____
 Permanent Umbrellas: _____
 Trees: _____
 Signs: _____

***MAY HEATERS BE MOUNTED ON WALL:**
 Yes No
(If YES, please indicate which wall on you sketch)

***IS THERE A FENCE ON ANY SIDE OF PATIO:**
 Yes No
 Height: _____
 1 Side 2 Sides 3 Sides 4 Sides
 How much breeze will fence(s) block _____ %

***PATIO LICENCED FOR HOW MANY PATRONS:**
 Quantity: _____
 Number of Tables: _____
 Size of Tables: _____
 Number of Chairs: _____
 Number of Bar Stools: _____

***IS THERE INTENTION TO ADD BREEZE BREAKERS:**
 Yes No
 Where: _____
 Height: _____

(IF THE PATIO OR AREA HAS ANY OTHER SPECIAL CIRCUMSTANCES, PLEASE INDICATE ON YOUR SKETCH)

The standard turnaround time is 48 hours, Schwank will endeavour to accommodate earlier requirements.